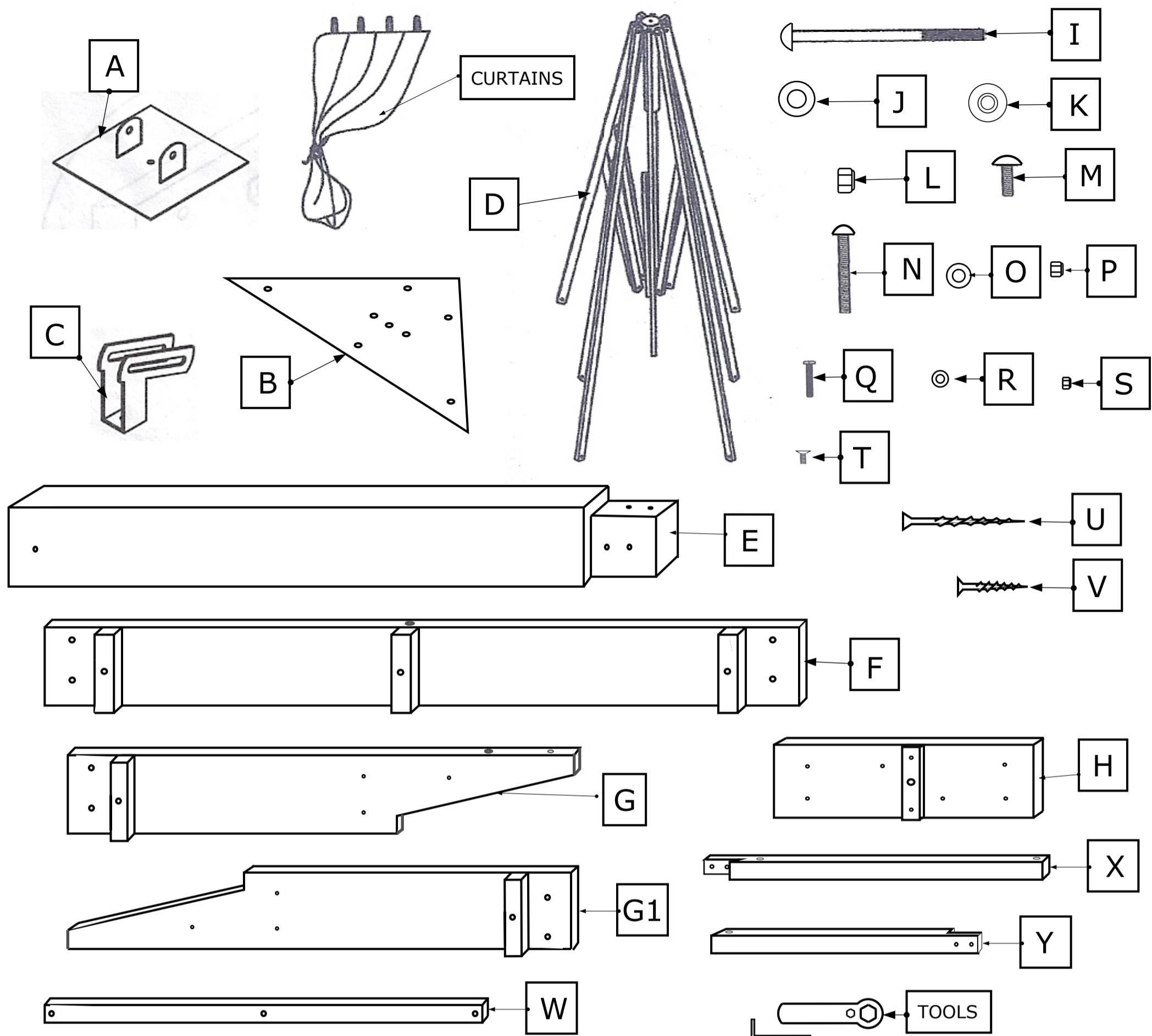


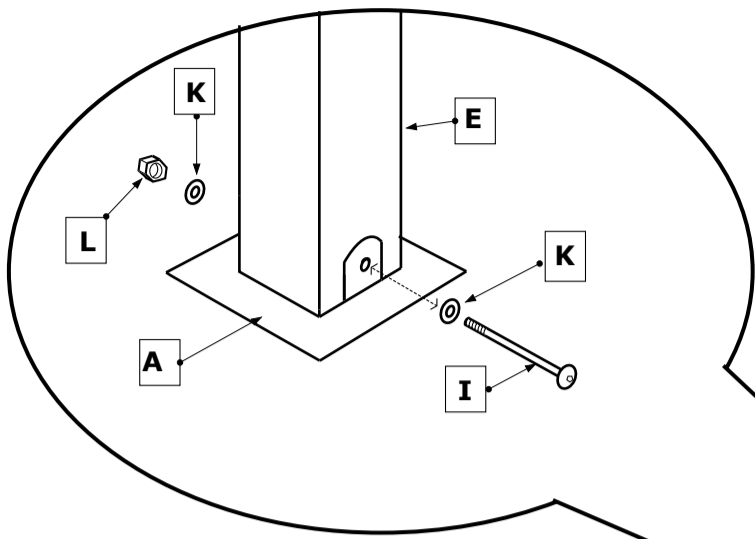
3m X 4m ALIZE - ASSEMBLY INSTRUCTIONS



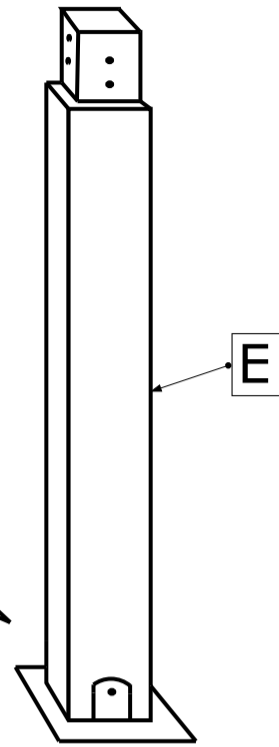
ITEM	PCS.	DESCRIPTION	ITEM	PCS.	DESCRIPTION	ITEM	PCS.	DESCRIPTION
A	4	POST BRACKET - BOTTOM	J	32	METAL WASHERS. M10	S	12	SELF LOCKING NUTS. M5
B	4	POST BRACKET - TOP	K	8	PLASTIC WASHERS (STEPED)	T	4	10mm X M5 - BOLTS (COUNTERSUNK)
C	8	RIB FASTENING BRACKETS	L	20	SELF-LOCKING NUTS. M10	U	4	60mm SCREWS
D	1	BAMBOO CANOPY (complete with fabric cover)	M	8	20mm X M6 - BOLTS (BUTTON HEAD)	V	16	30mm SCREWS
E	4	CORNER POSTS (2 left, 2 right)	N	24	45mm X M6 - BOLTS	W	2	CUTAIN RAILS (LONG)
F	2	3m CROSSRAILS	O	36	METAL WASHERS. M6	X	2	CUTAIN RAILS (MEDIUM)
G / G1	4	4m CROSSRAIL SECTIONS (2 left, 2 right)	P	12	SELF LCKING NUTS. M6	Y	2	CUTAIN RAILS (SHORT)
H	2	CROSSRAIL PLATES	Q	8	30mm X M5 - BOLTS	TOOLS		MULTI SPANNER. ALLEN KEYS. (MAY DIFFER FROM PICTURE)
I	20	110mm X M10 - BOLTS	R	20	METAL WASHERS. M5			

3m X 4m ALIZE - ASSEMBLY INSTRUCTIONS

STEP 1



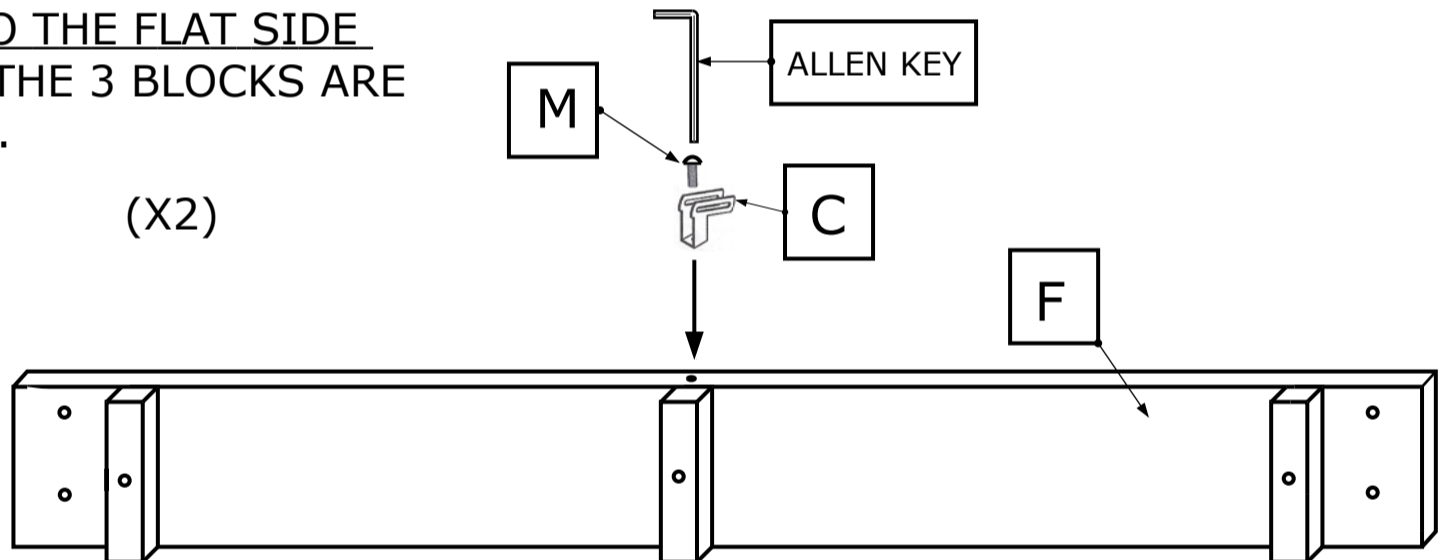
BOLT BRACKETS-**A** TO BOTTOM OF POSTS-**E**, USING BOLTS-**I**, PLASTIC WASHERS-**K** AND NUTS-**L**. (x4)



STEP 2

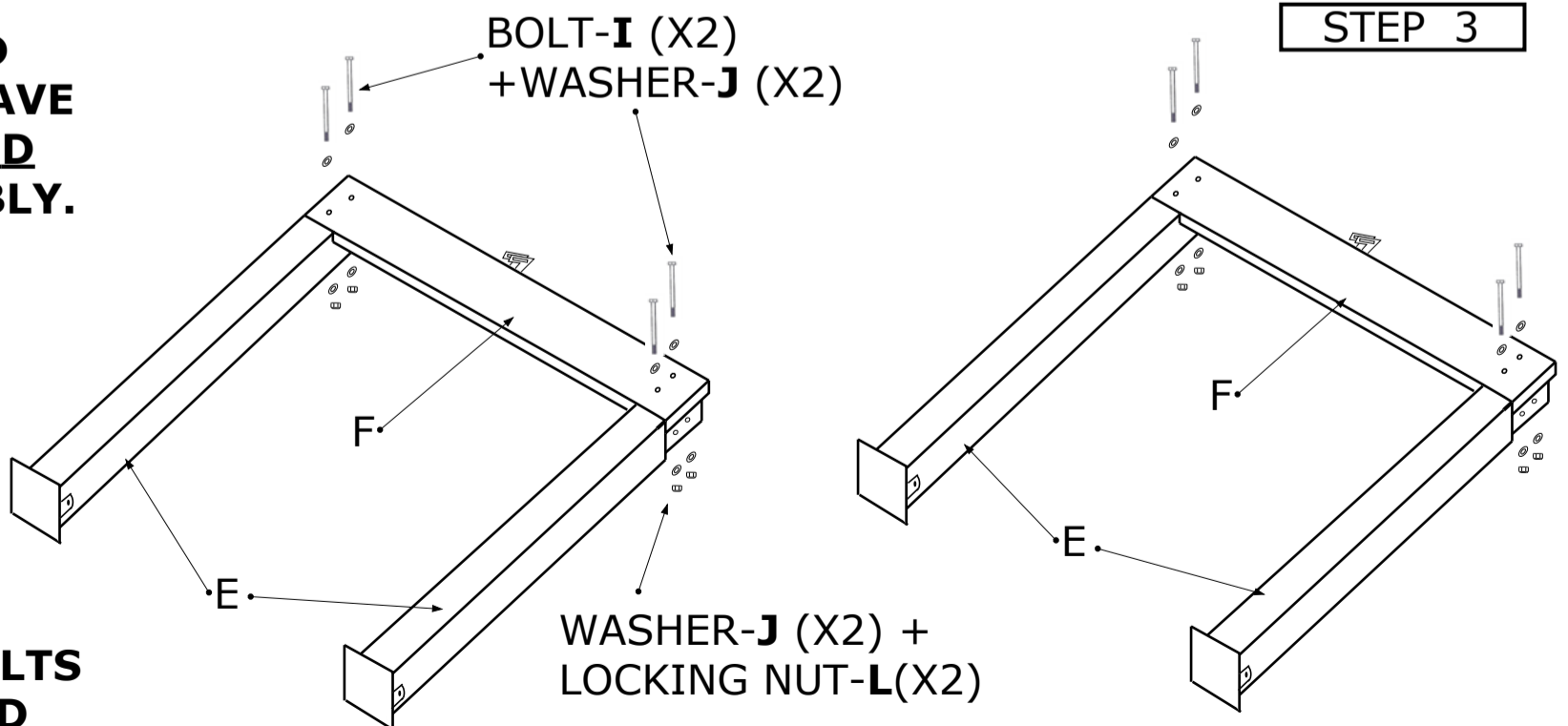
BOLT BRACKETS-**C** TO THE TOP EDGE OF CROSSRAILS **F**, USING BOLTS-**M**. PROJECTIONS FACE TO THE FLAT SIDE OF THE CROSSRAIL. (THE 3 BLOCKS ARE ON THE INSIDE FACE).

(X2)



THE POSTS AND CROSSRAILS HAVE BEEN **NUMBERED** TO AID ASSEMBLY.

STEP 3



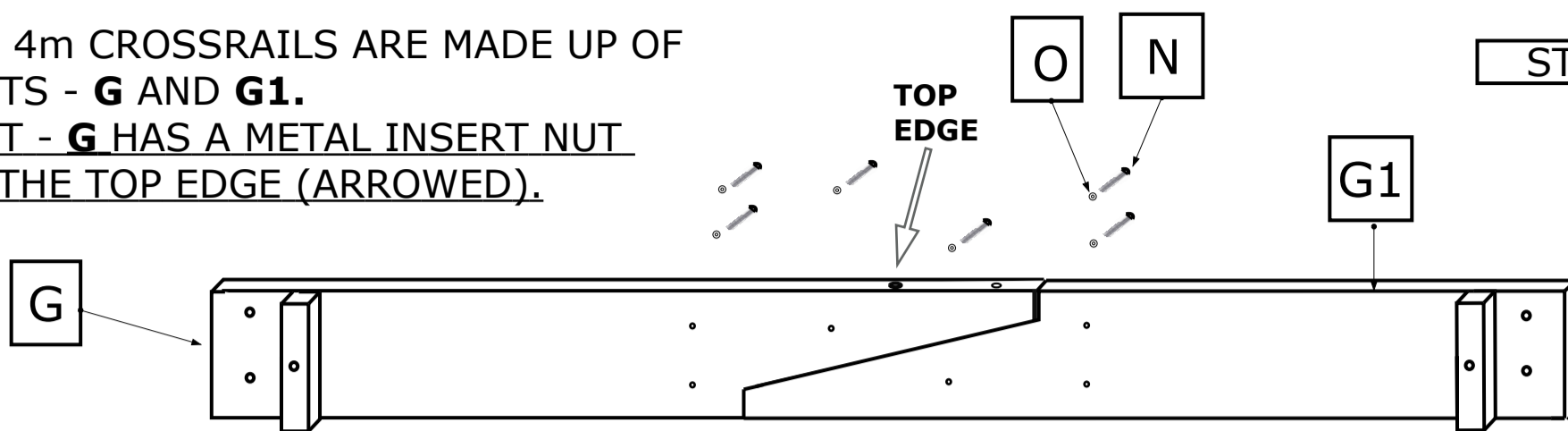
MAKE SURE BOLTS ARE **TIGHTENED SECURELY**.

3m X 4m ALIZE - ASSEMBLY INSTRUCTIONS

THE 4m CROSSRAILS ARE MADE UP OF PARTS - **G** AND **G1**.

PART - **G** HAS A METAL INSERT NUT ON THE TOP EDGE (ARROWED).

STEP 4



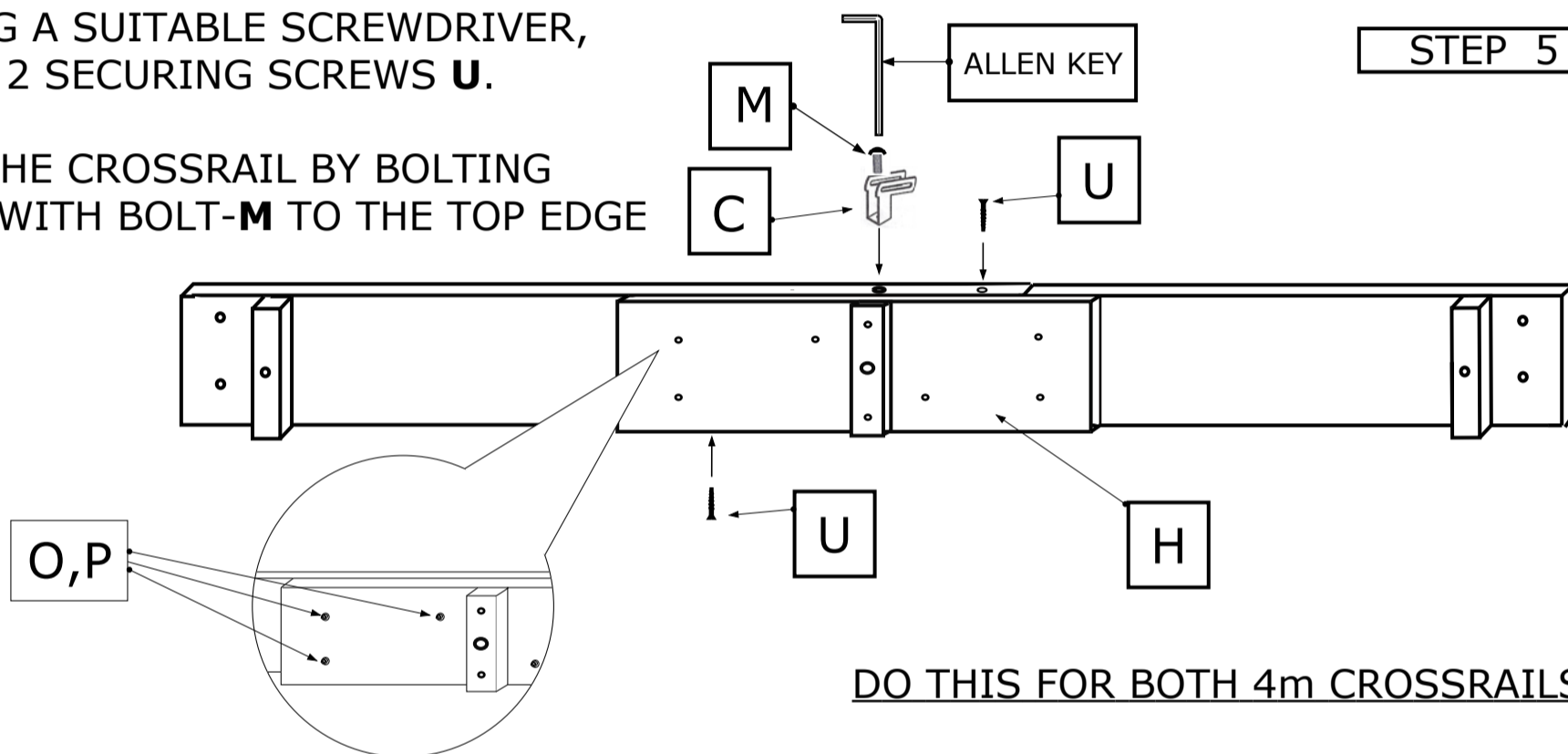
FROM THE OUTER FACE (WITHOUT BLOCKS), PUT 6 BOLTS-**N** WITH WASHERS-**O** THROUGH THE 2 SECTIONS OF THE 4m CROSSRAIL AND BRING THEM TOGETHER.

PLACE PART-**H** OVER THE 6 BOLTS AND FASTEN WITH WASHERS-**O** AND M6 SELF LOCKING NUTS-**P**.

THEN, USING A SUITABLE SCREWDRIVER, INSERT THE 2 SECURING SCREWS **U**.

STEP 5

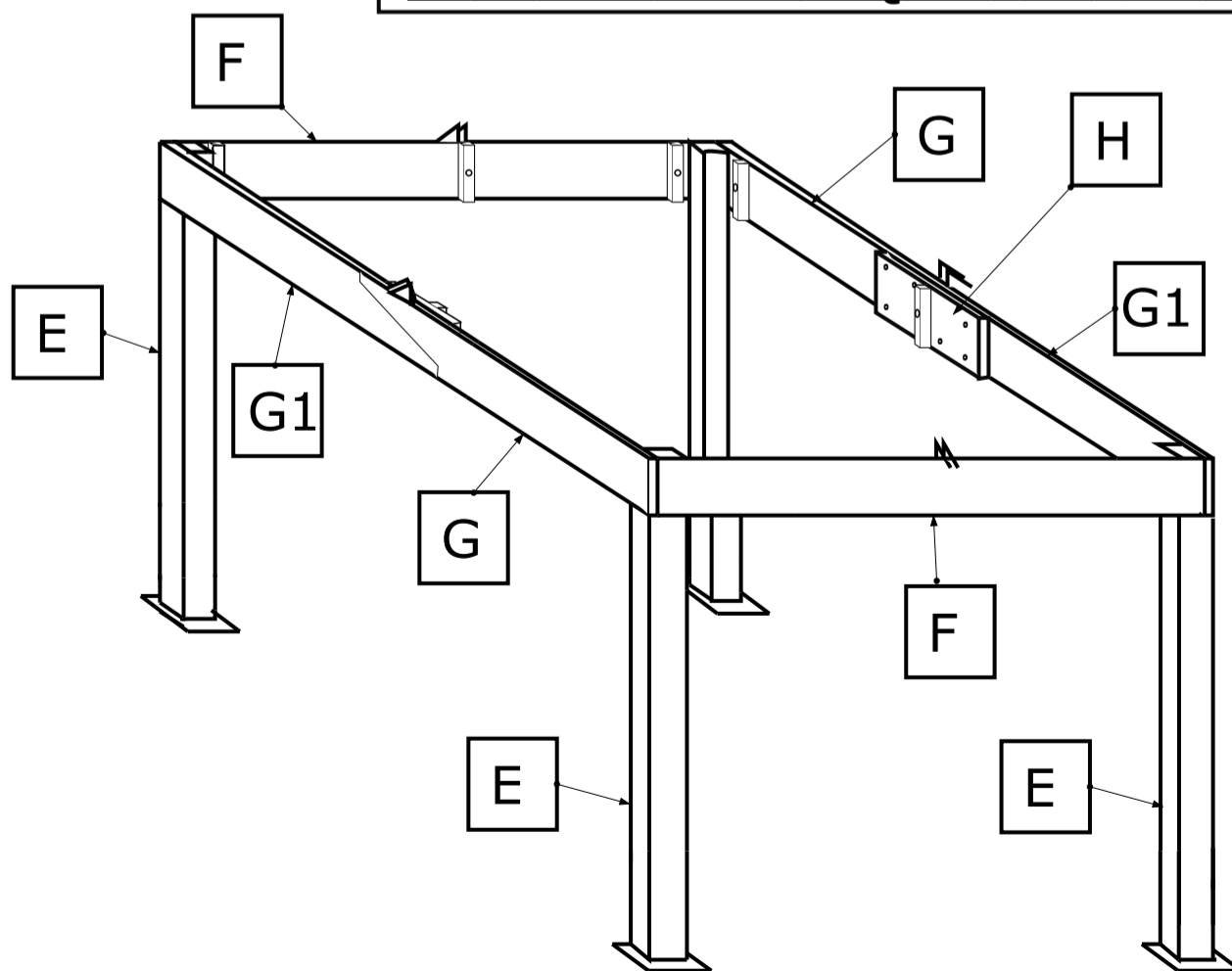
COMPLETE THE CROSSRAIL BY BOLTING BRACKET-**C** WITH BOLT-**M** TO THE TOP EDGE



DO THIS FOR BOTH 4m CROSSRAILS

THIS STEP WILL REQUIRE EXTRA ASSISTANCE

STEP 6



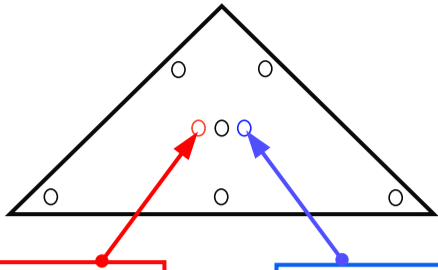
ONCE THE END SECTIONS, AND THE CROSSRAILS ARE COMPLETE, (STEPS 3, 4 AND 5), STAND THE 2 ENDS UP AND SUPPORT THEM. THEN, BOLT THE LONGER CROSSRAILS TO THE POSTS (MAKING SURE THE POSTS ARE VERTICAL), USING BOLTS-**I**, WASHERS-**J** AND M10 LOCKING NUTS-**L**.

THE STRUCTURE WILL BE UNSTABLE UNTIL ALL 4 SIDES ARE COMPLETE, AND ALL BOLTS ARE TIGHTENED SECURELY.

3m X 4m ALIZE - ASSEMBLY INSTRUCTIONS

STEP 7

WHEN ATTACHED TO THE TOP OF THE POSTS, (4 X 30mm SCREWS-V), THE BRACKET-C SHOULD BE TO THE **OUTSIDE**. (SHOWN WITH ARROWS)

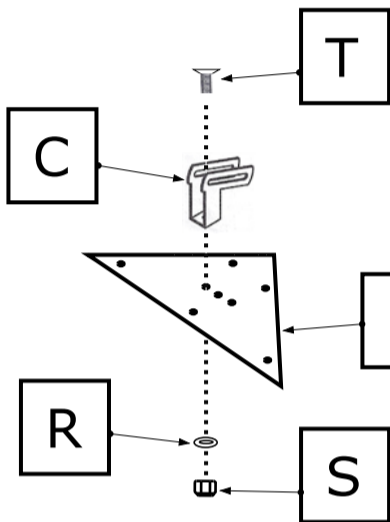
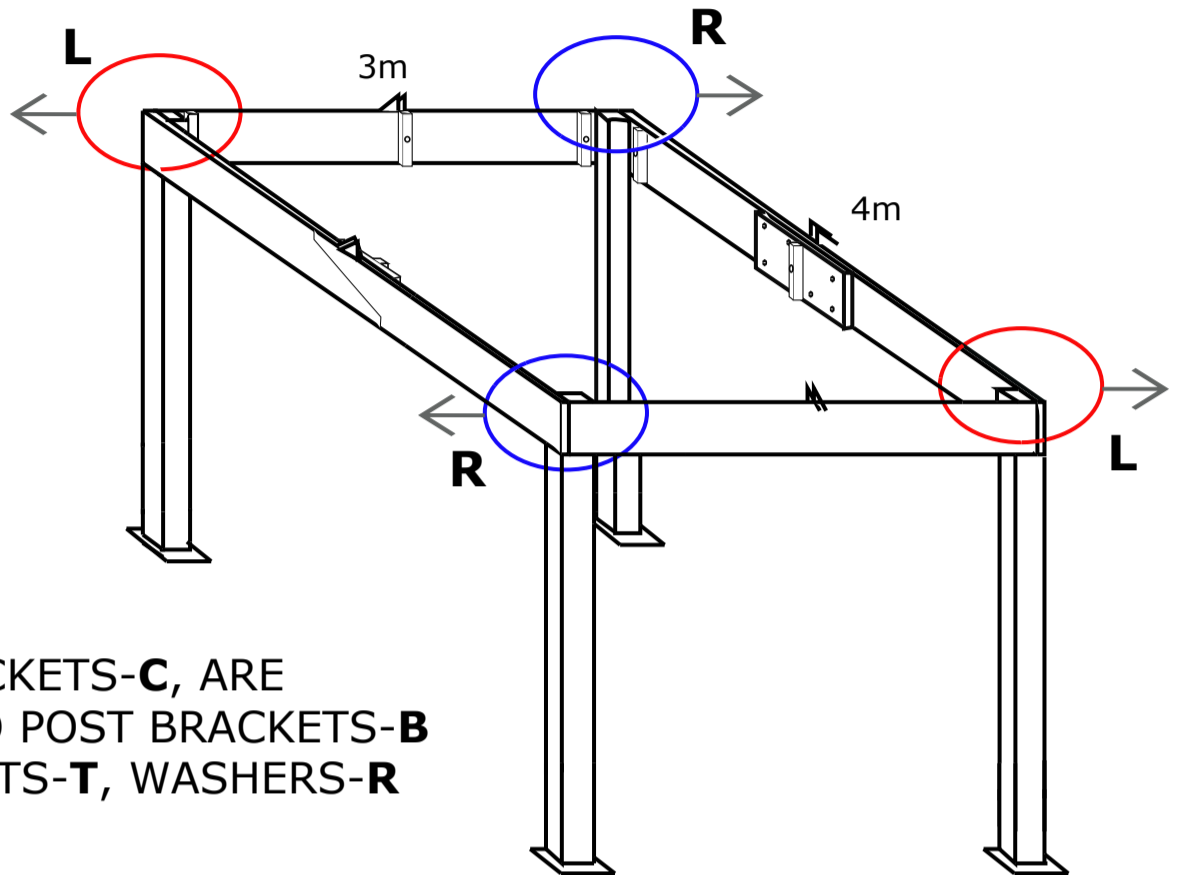


MAKE 2 WITH BRACKET-C IN THE LEFT HOLE.

L

MAKE 2 WITH BRACKET-C IN THE RIGHT HOLE.

R

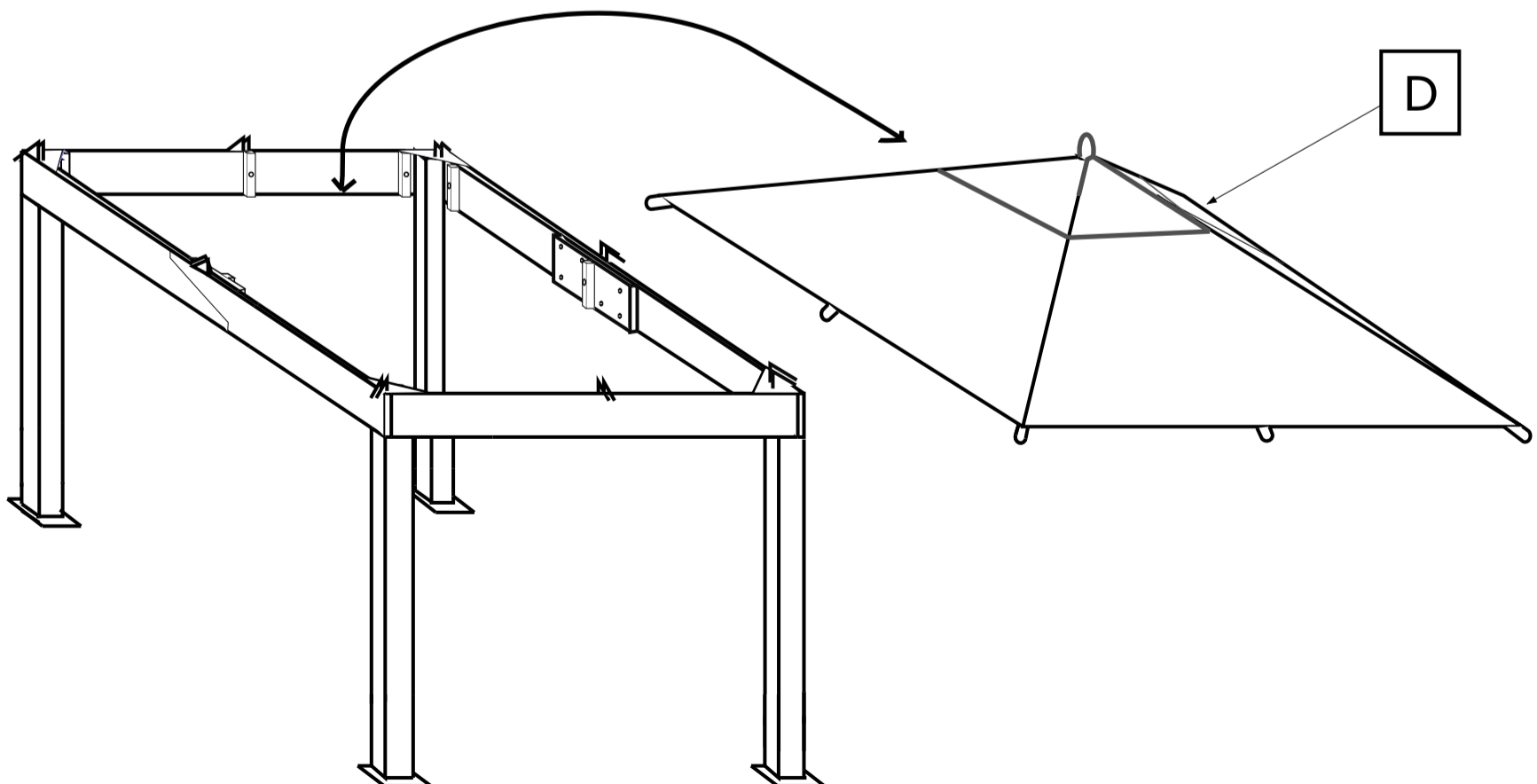


THE RIB BRACKETS-C, ARE ATTACHED TO POST BRACKETS-B WITH M5 BOLTS-T, WASHERS-R AND NUTS-S.

OPEN CANOPY D. CAREFULLY, LIFT IT OVER THE CROSSRAILS, LOCATING THE RIB ENDS INTO THE 8 BRACKETS.

STEP 8

EXTRA HELP WILL BE NEEDED FOR THIS OPERATION.

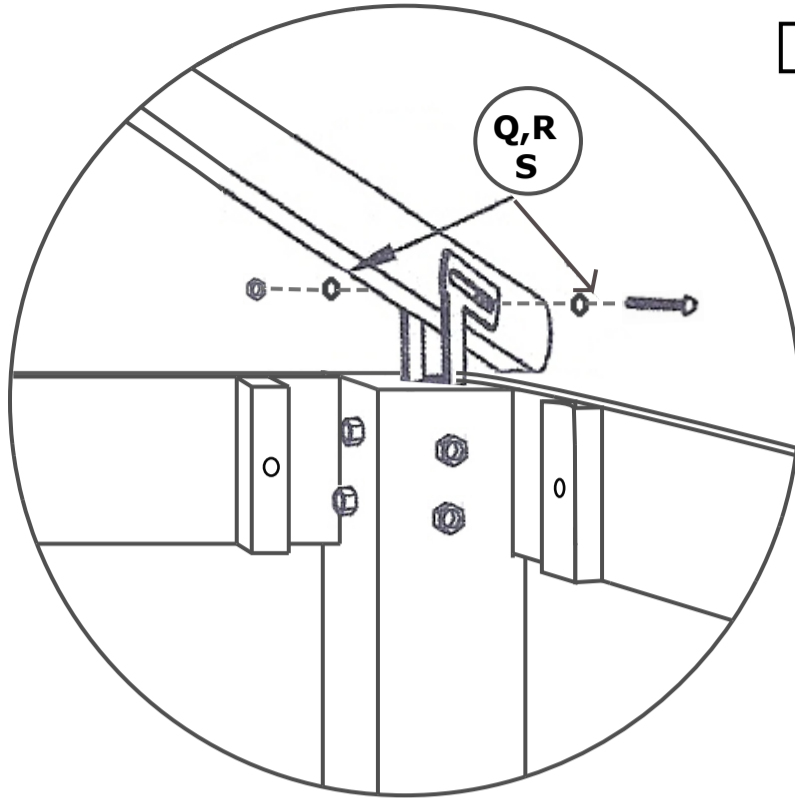


3m X 4m ALIZE - ASSEMBLY INSTRUCTIONS

STEP 9

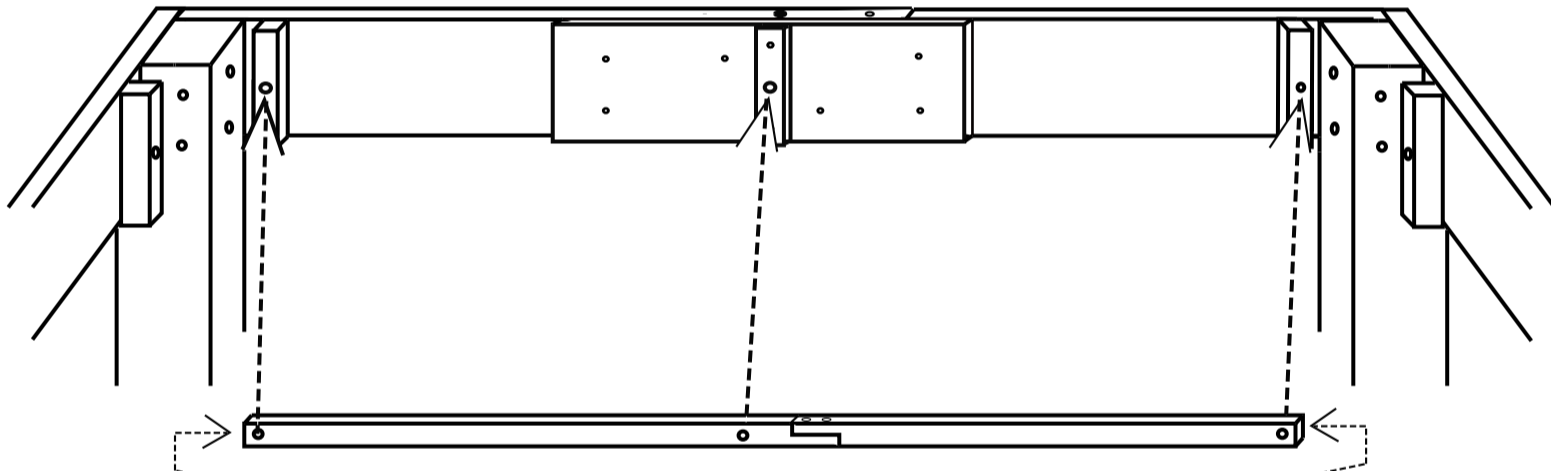
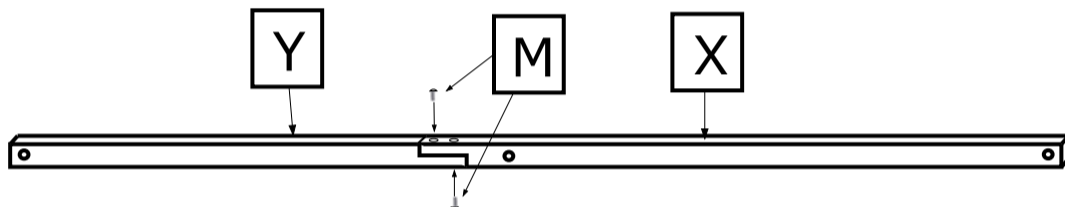
ATTACH ENDS OF CANOPY RIBS TO THE FRAME USING THE M5 BOLTS-**Q**, WASHERS-**R** AND NUTS-**S**.

DO THIS FOR ALL 8 RIBS.



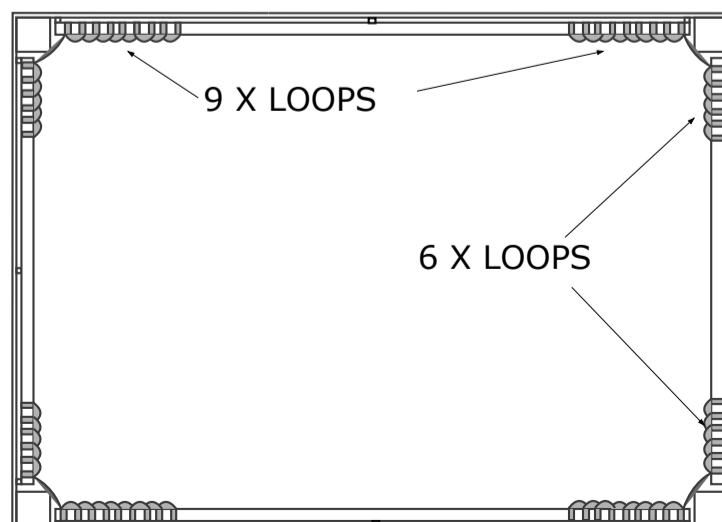
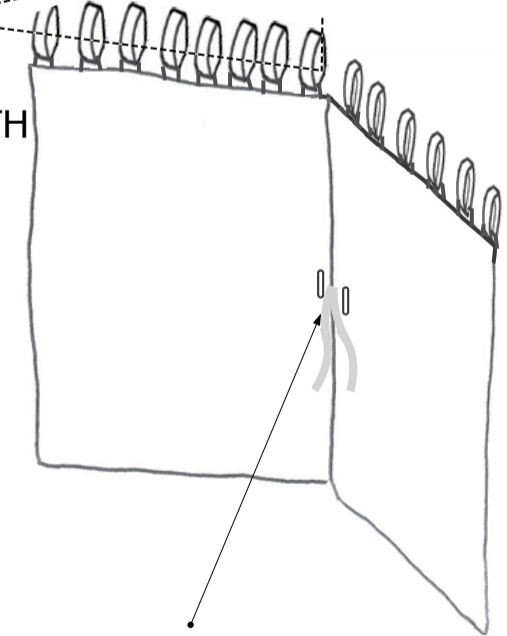
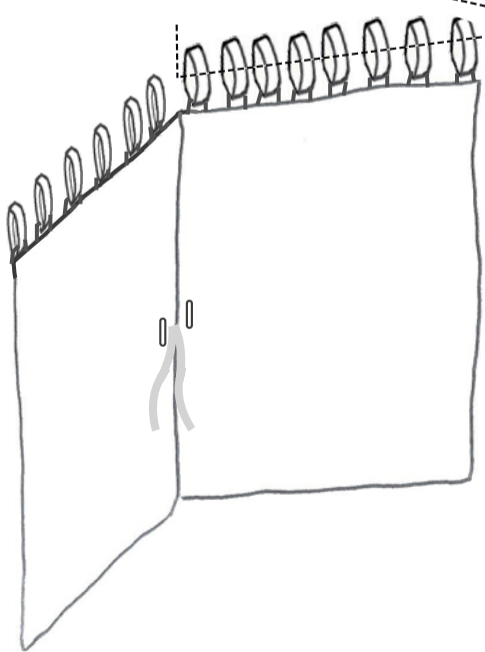
MAKE UP THE LONGER CURTAIN RAILS BY BOLTING PARTS **X** AND **Y** TOGETHER USING 2 X M6 BOLTS-**M**.

STEP 10



SLIDE **9** LOOPS EACH FROM 2 CURTAINS ONTO EACH END OF THE (4m) CURTAIN RAIL, AND FIX IT TO THE CROSSRAIL WITH 3 X M6 BOLTS-**N** AND WASHERS-**O**. DO THIS FOR BOTH 4m SECTIONS.

THEN FEED THE REST OF THE LOOPS ONTO THE OTHER CURTAIN RAILS, AND FIX WITH THE BOLTS AND WASHERS.



THE TWO TIES AND HOLES ARE TO SECURE ONE, OR BOTH CURTAIN SIDES TO THE POST. (PASS THE TIE THROUGH THE HOLE).